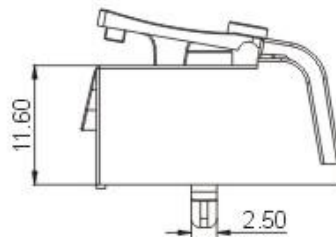
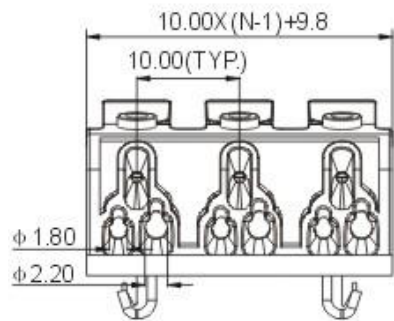
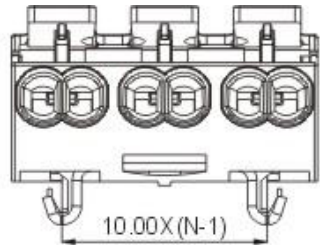




DG238-10.0



Approval		
Electrical		
Standard	UL	IEC
Rated voltage	600V	450V
Rated current	20A	24A
Wire range	22-12AWG	0.75-2.5m ²
Withstanding voltage	AC2500V/1Min	
Mechanical		
Ambient temperature	-40°C~+105°C	
Strip length	9-10mm	
Dimensions		
Pitch	10.0mm(.394")	
Poles	2P-5P	
Material		
Housing	PA66,UL94V-0	
Pin header	Copper,Tin plated	
Wire guard	Stainless steel	

HOW TO ORDER :



Series number

No. of pole

1	Single pitch
2	Double pitch

Color

1 Grey	4 Green	7 Trans Parent
2 Blue	5 Orange	8 Yellow
3 Black	6 Red	9 White